



## OFX 09

2009

Ergonomic office chair. Upholstered wooden seat covered with suede or ecoleather as per samples. 3 different heights for backrest. Swivel five-star base made of die-cast aluminium. Gas lift height adjustment, with castors or feet. Available with chromed armrests. Product not available with interliner.

Cm (L x W x H)

OFX 09\_85 | 50 x 54 x 85

OFX 09\_100 | 50 x 61 x 98

OFX 09\_115 | 50 x 61 x 115

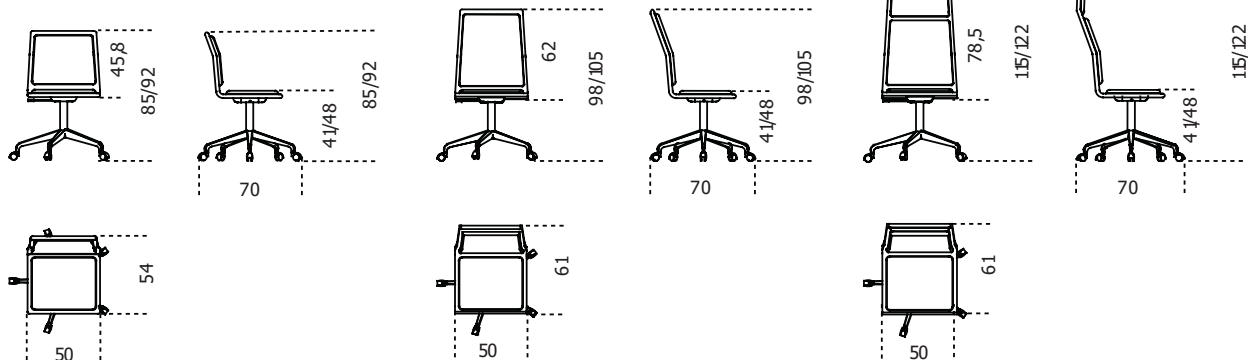
Inches (L x W x H)

OFX 09\_85 | 19<sup>3</sup>/<sub>4</sub> x 21<sup>1</sup>/<sub>2</sub> x 33<sup>1</sup>/<sub>2</sub>

OFX 09\_100 | 19<sup>3</sup>/<sub>4</sub> x 24<sup>1</sup>/<sub>4</sub> x 38<sup>3</sup>/<sub>4</sub>

OFX 09\_115 | 19<sup>3</sup>/<sub>4</sub> x 24<sup>1</sup>/<sub>4</sub> x 45<sup>1</sup>/<sub>2</sub>

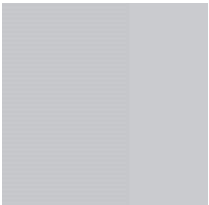
Versione senza bracciolo  
Without arm rests





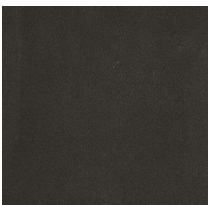
# Finishings

## Metal

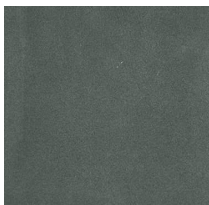


Chrome

## Leather Cat.L1



Suede grey 020



Suede grey 058



Suede grey 074

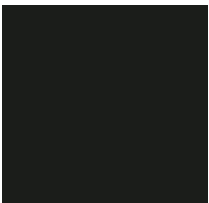


Suede sand 006



Suede sand 012

## Ecopelle



Black



White